



PENSOTTI Solenne Series

Concentric Vent Pipe Installation Information

To ease the assembly of the vent pipe, apply a small amount of the included silicone grease to lubricate the inner and outer pipe gaskets before assembly and securing.



Use only silicone grease to lubricate pipe joints.

DO NOT use any other greases or oils.

Avoid contact with eyes and skin.

Maximum Vent Lengths

Boiler Model	Maximum Vent Length
PCH 34B / PCC 34 / PCI 34/20	26 Feet
PCH 18 / PCI 18/8	29 Feet
PCH 50B	16 Feet

Equivalent Fitting Lengths

Fitting	Equivalent Length
90° Elbow	2.6 Feet
45 ° Elbow	1.64 Feet
Extensions/Terminations	Measured Lengths

On **Horizontal** vent systems the 2/4" to 3.15/5" transition and first elbow are not calculated into the equivalent length of run.

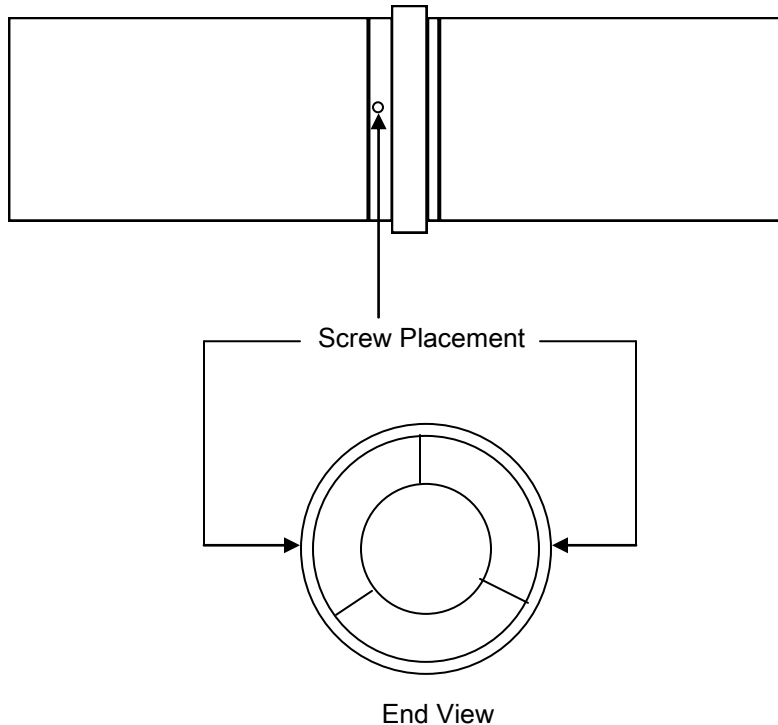
On **Vertical** vent systems the vent termination is not calculated into the equivalent length of run.

PNA, Inc
PO Box 3358
34 Coffin Ave Brewer, ME 04412
P 207.942.3636 | F 207.942.3737
www.pensotti-pna.com | info@pensotti-pna.com

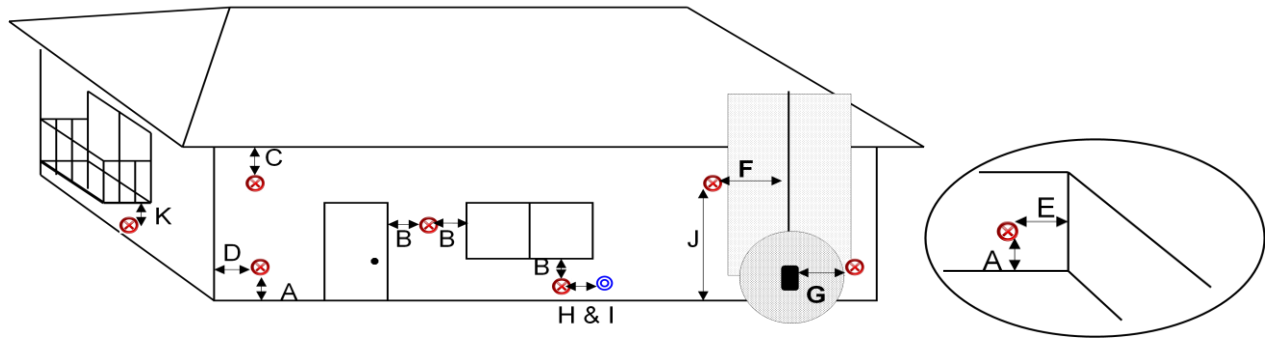
Fastening of Venting Components

All concentric venting systems installed with Pensotti Solenne condensing wall mounted boilers must be fastened together to reduce the chance of the venting components separating.

Two screws must be fastened through the outer air intake pipe, behind the gasket, at equal distances apart. The screws must be no longer than No. 8 x 1/2" sheet metal screws and must be zinc coated or stainless steel.



**Be sure not to pierce the inner poly exhaust pipe.
Failure to comply with these instructions could result in
property damage, personal injury or loss of life.**



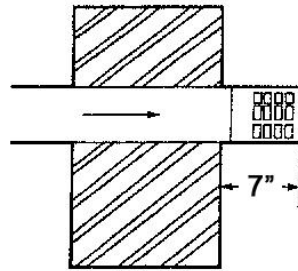
Direct Vent Termination Minimum Clearances	
A = 12"	Clearance above grade, snowline, deck, porch or balcony
B = 12"	Clearance to window or door that may be opened
C = 24"	Vertical clearance to ventilated and unventilated soffit within a 2' distance horizontally from center line of DV termination
D = 12"	Minimum distance to outside corner
E = 18"	Minimum distance to inside corner, included walls and fences.
F = 48"	Not to be installed above a gas meter/regulator within F from the center line of the meter/regulator
G = 48"	Minimum clearance to service regulator vent outlet, gas meter or electrical meter
H = 12"	Clearance to non-mechanical inlet air opening into the building
I = 36"	Clearance to a mechanical air inlet into the building
J = 84"	Minimum distance above a paved sidewalk or driveway located on public property. If terminal is located between two single family residences with a sidewalk or driveway between; the same 84" clearance applies.
K = 24"	Minimum clearance beneath porch, deck, veranda or balcony, only if the area below is completely open on at least two sides.

State and local codes may require different clearances, consult the local authority having jurisdiction in each area for details.

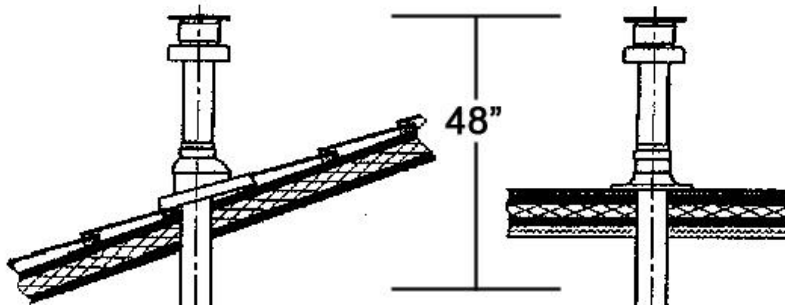
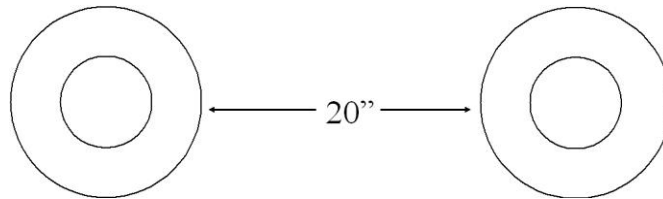
The vent hood must be installed on the leeward side of the structure. Avoid installing the vent hood on the side of the structure receiving normal prevailing winds.

The termination shall be located so that flue gasses, or condensate from the flues gasses, are not directed as to jeopardize people, building materials, building construction, siding or soffits. Flue gasses from the termination shall not be allowed to enter any type of structure.

-Horizontal vent termination: must terminate a minimum of 7" from the face of the outside wall in which it is installed.



-Minimum distance between any two horizontal concentric vent terminations is 20" measured from the inner edge of each termination.



-Pitched Vertical Termination

-Flat Vertical Termination